

# Ryder Towing

## TF2324 SmartCan2 Fitting Guide

12N/12S version



### Contents of the kit

- 1 x SmartCAN2 module
- 1 x 13-pin socket with seal and nut, bolts and washers
- 1 x complete set of wires
- 1 x fuse connector with crimps and 30 amp fuse
- 1 x butt connectors
- 1 x ring terminal (Battery connector)
- 4 x snap connectors (Scotchlocks)
- 3 x cable ties
- 2 x Gel push connectors for CANbus connections
- 1 x Scotch lock connector
- 1 x 5 pin Relay

### Interfaces directly to CAN

The TF2324 SmartCan2 towing module connects directly to the vehicle's CAN bus network. All the signal and power data to the towing module comes from a direct connection to the vehicle's CAN HI, CAN LO wires (including an analogue brake line and second CAN connection wires for those vehicles that need that function).

### Programmed to the vehicle

The Bootloader/Programmer interface programmes the module to the car. You may choose to have a Bootloader yourself, or we will programme your module to a specific vehicle before despatching it to you.

### Warnings

- Disconnecting the battery: If you do disconnect the battery, make sure the ignition is switched off before you disconnect. Only disconnect for the shortest possible time.
- NOTE: The connections to CAN HI and CAN LO have to be excellent, and soldering is not recommended because of potential heat transfer to sensitive circuits in the car, so each kit includes two positap connectors. We strongly recommend their use for this interface.

**Overload protection:** As well as the fuse protection you put on the input cables, the module has on board protection against overloads – it will shut down any lighting circuit that shorts, etc. In service, making this a very durable unit.

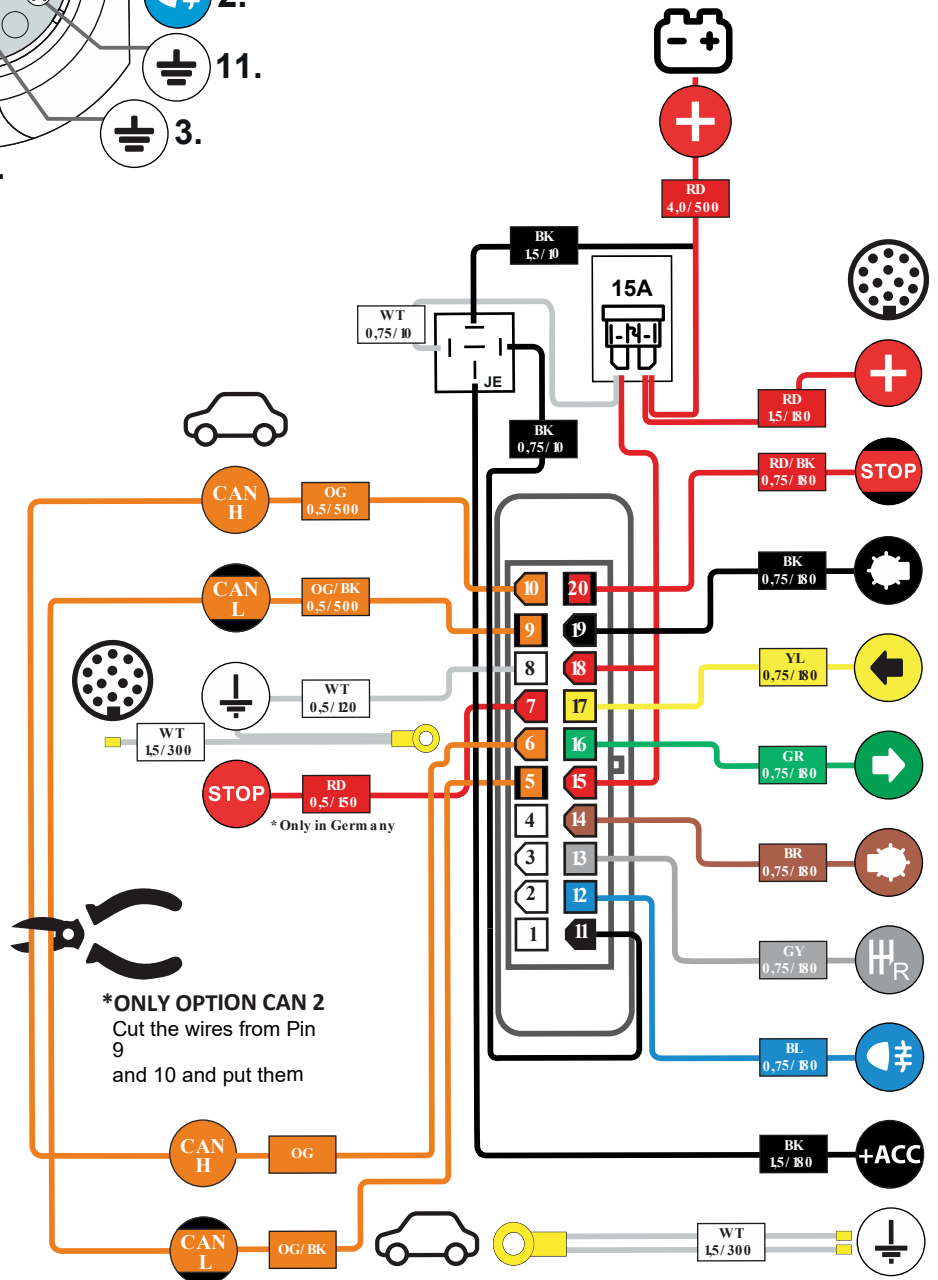
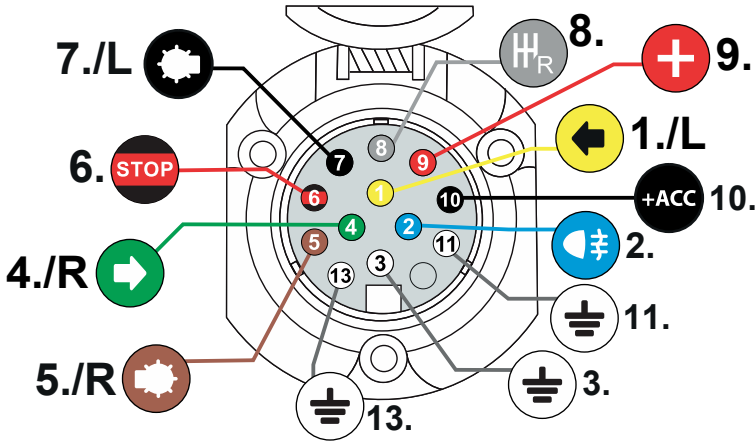
**The module sends trailer data back to the vehicle:** Some vehicles automatically accept data back from the unit and alter some functions when a trailer is connected. Some require a recode before they do this and others react partially without a recode, adding new functions when they have been recoded.

# Ryder Towing

## TF2324 SmartCan2 Fitting Guide

12N/12S version

### Module pin assignments



---

# **Ryder Towing**

## **TF2324 SmartCan2 Fitting Guide**

### **12N/12S version**

---

#### **Procedure**

1. Remove panelling as required.
2. Disconnect the battery
3. Find a good earth point and connect the white wire from the module, using the ring terminal provided.
4. Thread the sleeved wires out of the car and connect to the 13-pin socket. Connect the socket to the mounting plate.
5. Lead the wires from the module through the vehicle to their appropriate connection points
6. CAN 1: Use the pictures provided to identify the CAN connection points, Cut the twisted pair from the module's CAN wires to length and connect to the vehicle's CAN wires using two of the Positap connectors provided.
7. CAN 2 (Vehicle dependent Optional)  
When you cut the module's twisted pair, you were left with a length with connectors. Insert these connectors into connect to plug chambers 5 (CAN lo) and 6 (Can hi) on the module plug. Fit the other ends to the vehicle's CAN second set of CAN wires as indicated on the installation instructions.
8. For vehicles that require a hard/analogue brake connection (Vehicle Dependent Optional).  
Take the red wire from pin 7 of the module and connect it to one of the wires to the brake lights, using a snap connector (Scotchlok).
9. Power connection  
The red wire that runs from both pins 15 and 18 is for power to the module.  
Use the FuseTap connector provided to take power from the vehicle's fuse box.  
Check your installation then insert the 15amp fuse in the PowerTap and test.
10. Restore all panelling etc.

#### **Warranty conditions**

We would expressly point out that installation not carried out by a competent installer will result in the cancellation of any right to damage compensation, in particular, those arising under the product liability act. Contents of these kits and their fitting manuals are subject to alteration without notice. Please ensure that the instruction manual is read and fully understood before commencing installation. Do not overload circuits.

You Tube Video for  
manually Programming  
Module.



Compatibility List  
Downloads

