

Adding resistor kit (LS912R100) to LS91208/LS92408 Series

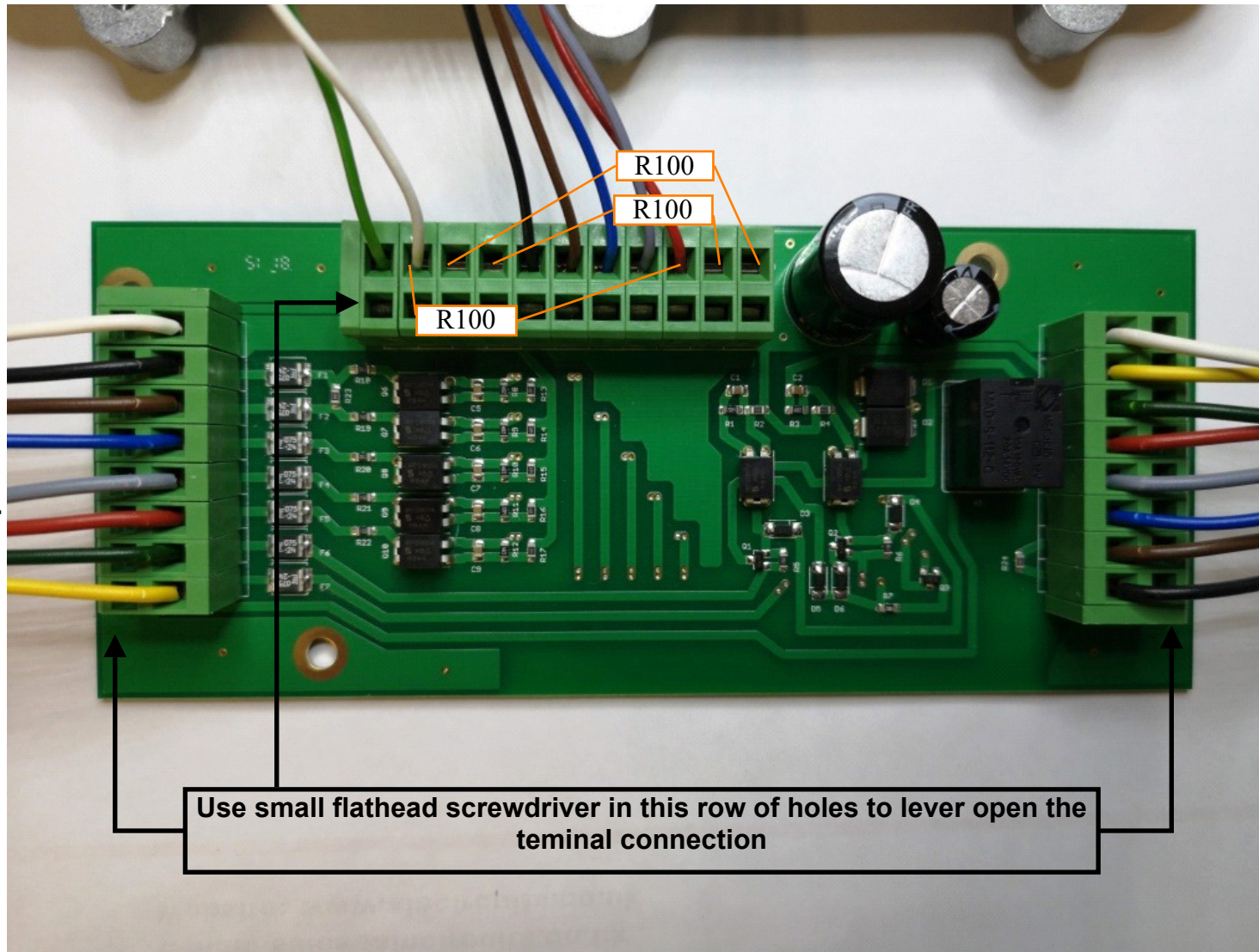
This kit is added to deal with unusually strong signal pulses generated by some vehicles

Connect the 3 R100 resistors with insulated sleeving, between the indicator and stop terminals (the 3 push connections shown on the right side), and the GND (earth) terminals (the 3 push connections shown in the middle). If there are wires already in the connector slot shown, fit the resistors and the wires together in the same connector slot.

In some cases it may be necessary to use resistors of a different value.

**Correct order and position of 7 core cable
Output socket**

- White - Earth
- Black - L/H Side Light
- Brown - R/H Side Light
- Blue - Rear Fog Light
- Gray/Pink - Reverse
- Red - Brake Lights
- Green - R/H Ind Light
- Yellow - L/H Ind Light



**Correct order and position of 7 core cable
Input socket**

- White - Earth
- Yellow - L/H Ind Light
- Green - R/H Ind Light
- Red - Brake Lights
- Gray/Pink - Reverse
- Blue - Rear Fog Light
- Brown - R/H Side Light
- Black - L/H Side Light

Use small flathead screwdriver in this row of holes to lever open the terminal connection