

Visor Extender SP8511

Secure the visor extender to the vehicle's sun visor using the two bands provided.

Fix it to the side that is towards the windscreen and away from the driver when the visor is down.

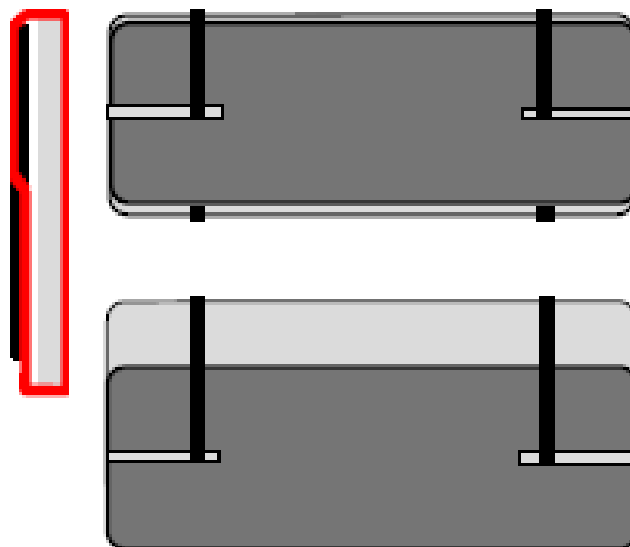
Fix one band vertically near each end, round the visor and through the slot in the extender.

If there is a mirror on the inside of the visor, do not obscure it.

The bands will hold the extender firmly but allow it to be pulled down and pushed up easily.

When the visor is lowered, the extender will be hidden behind it.

It can readily be pulled down when it is needed or pushed back up when not required.



Anti-Glare Pad SP8513

Before removing the protective yellow lining from the pad, place the pad on the top of the dash and decide the best position for it and whether it should be cut to size. Hold it down to follow the curves of the dash top and mark it if you intend to cut it. Remember to leave the vehicle's windscreen air vents clear. The less you can reduce the pad in size, the better it will act to prevent glare.

Wipe the dash clean and allow it to dry.

Use sharp scissors to do any cutting to size and shape.

To separate the pad from its lining so you can peel the lining off, lay the pad yellow side down and hold it down firmly with two fingers spread on one edge. With a craft knife or other sharp implement, on the edge of the pad between your fingers, gently push the black rubber so that it lifts away from the yellow liner.

Once it has lifted slightly, you will be able to insert the knife between and start peeling the lining off.

Peel about 100-150mm of the lining from one of the side edges and fold it back on itself.

Lay the pad on the dash without pressing the sticky part down and move it to the correct position.

Press down the sticky part, smoothing that part of the pad into position, and gradually pull off the rest of the lining, smoothing as you go, until the entire pad is smooth and in place.

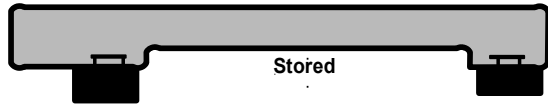
You may have to peel the pad off in places to get it to lie smoothly – this is why you should be gentle when you first put it in place.

Please be careful not to tear the pad as you work with it.

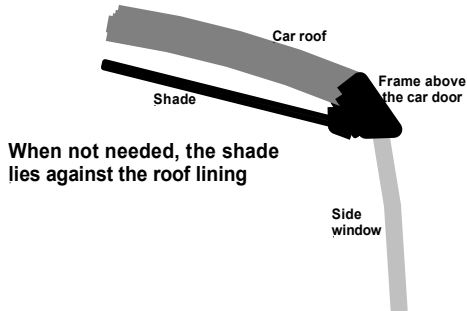
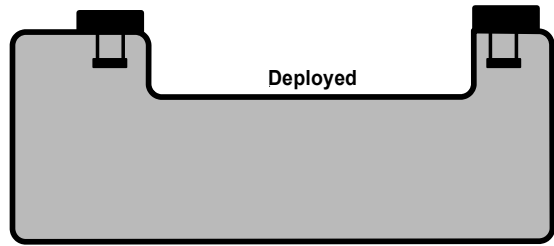
When you are happy that it is correctly positioned, smooth it down firmly.



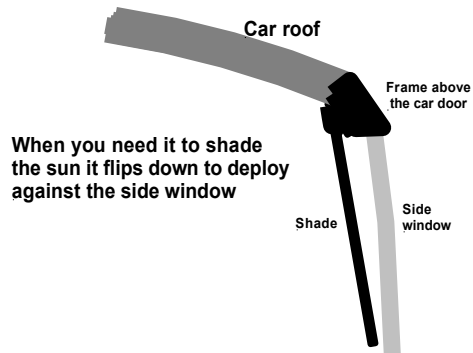
Side Window Shade SP8512



Adhesive velcro pads fix the shade to the frame above the car door

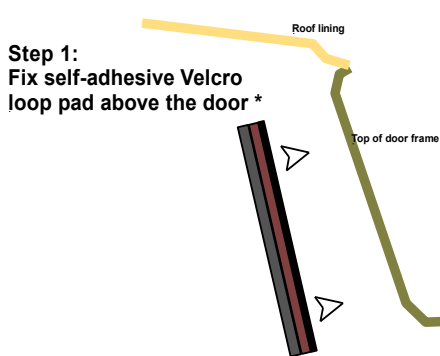


When not needed, the shade lies against the roof lining

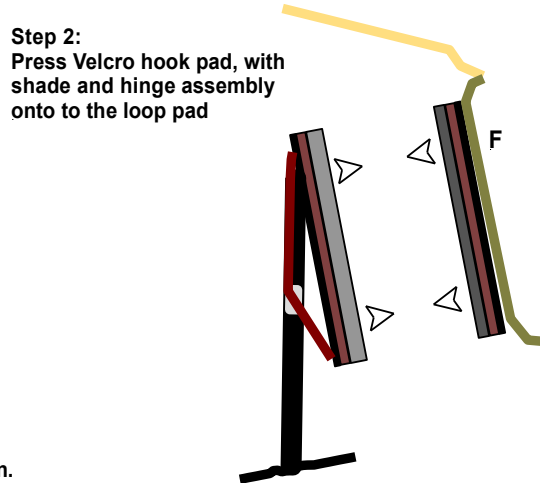


When you need it to shade the sun it flips down to deploy against the side window

- Place the shade with the Velcro pads against the frame above the selected door/window and mark carefully where you want the fixing pads to be.
- Take two of the unattached Velcro loop pads, remove the paper backing and press them into place where you marked.
- Match the Velcro pads on the shade to the pads you fixed to the door.
- Press the Velcro pads together. The shade is now in place.
- When you are sure you are happy with the position of the shades, pull each self-adhesive pad in turn away from the frame, apply a general purpose glue to the adhesive area and press the pad back into place. This will make sure the shades stay firmly in position.



Step 1:
Fix self-adhesive Velcro loop pad above the door *



Step 2:
Press Velcro hook pad, with shade and hinge assembly onto the loop pad

Left/right reversible.
End F should be closer to the front windscreen.
Flip the cam hinges to set for left hand/right hand fitting.

